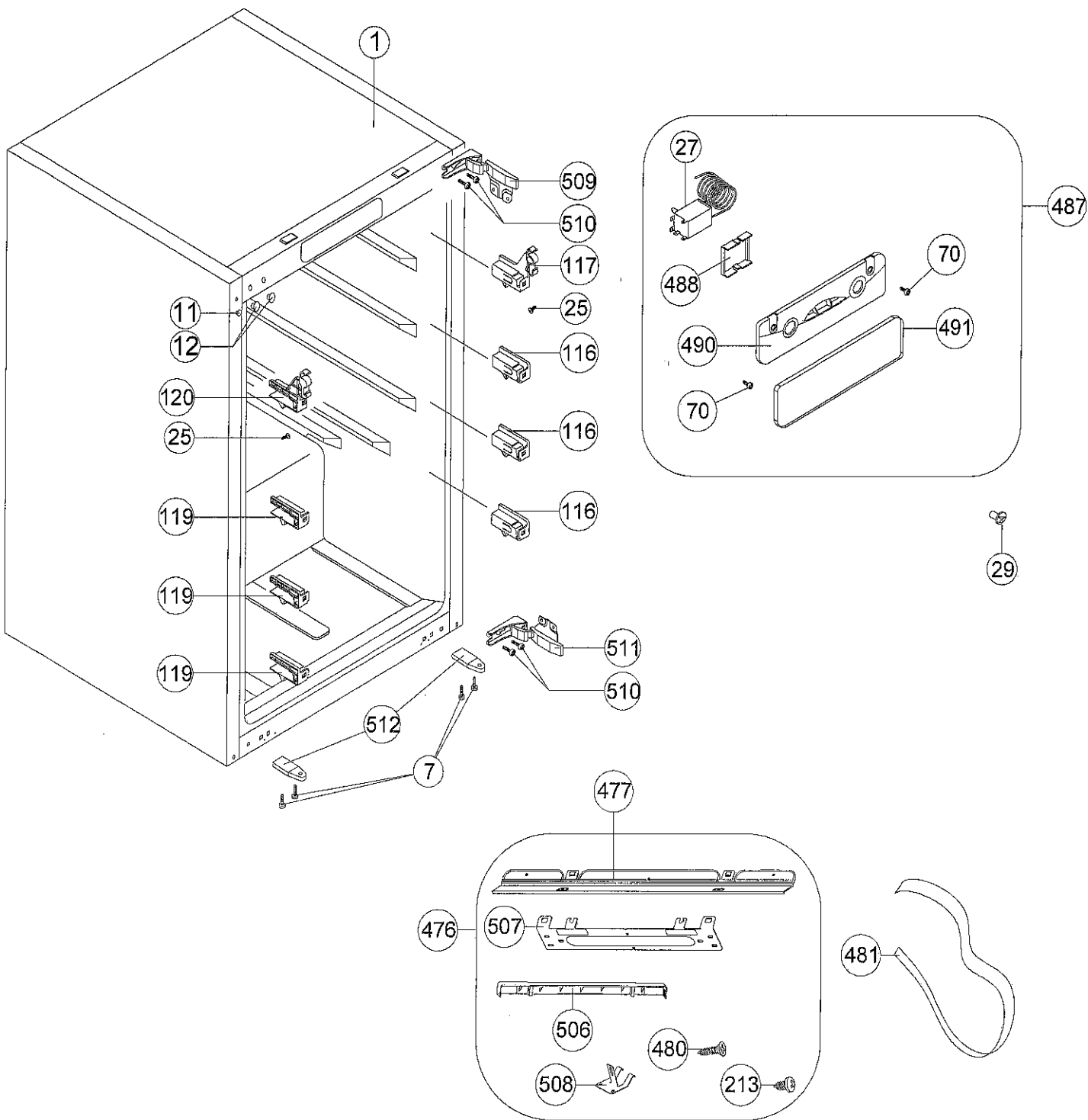
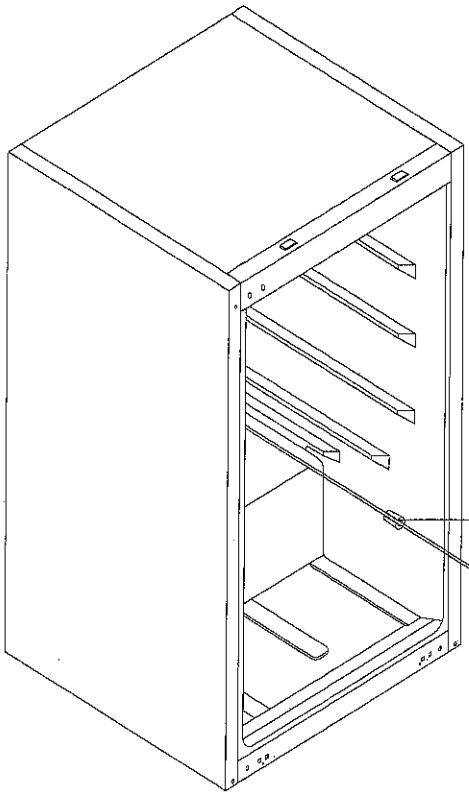


AFTER DATE 01 JULY 2013



AUGUST 2013



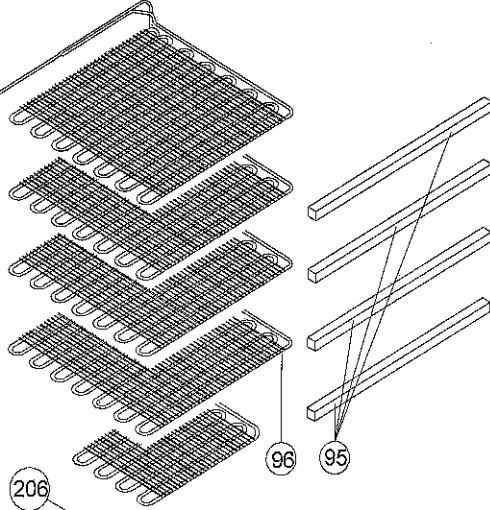
100

495

121

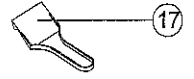
206

25

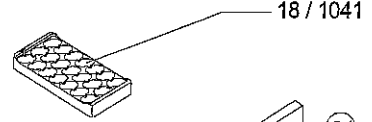


96

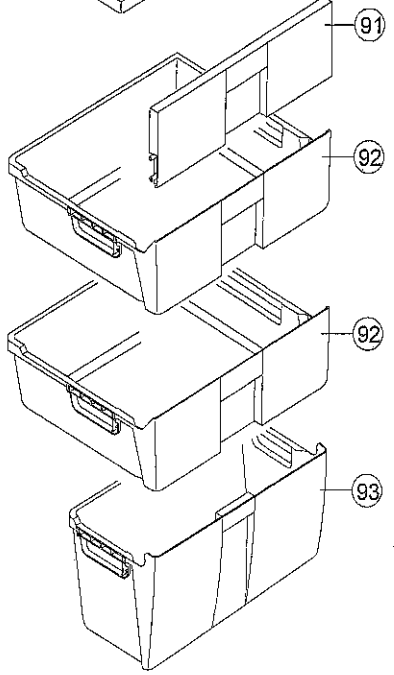
95



17



18 / 1041



91

92

92

93

